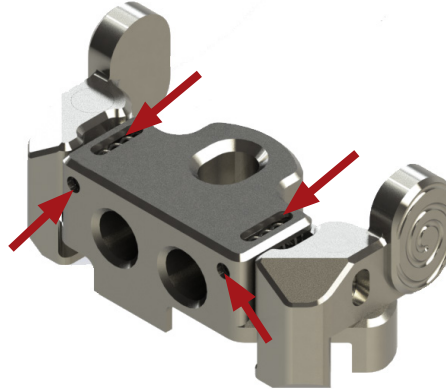


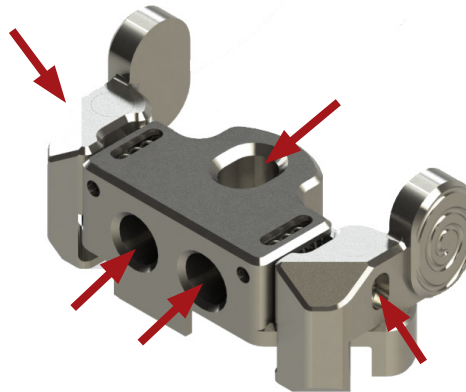
## Sternal Closure System Shear Bar Plate Alignment Guide (P/N 201.033.01)

Note: This cleaning instruction is intended to augment JACE Medical CS.0001 Product Care, Cleaning, and Sterilization Instructions and is not intended as a replacement for the validated parameters contained therein.

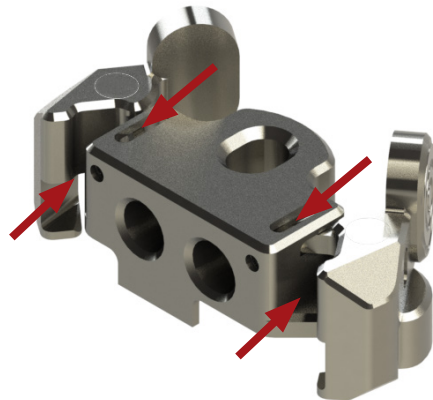
**1 Flush Springs**



**2 Flush Lumens**



**3 Depress Buttons and Flush**



**4 Clean and Sterilize per JACE Medical CS.0001 Product Care, Cleaning, and Sterilization instructions.**



JACE Medical  
3516 Commerce Drive  
Warsaw, IN 46580  
USA  
Ph 574-306-0355