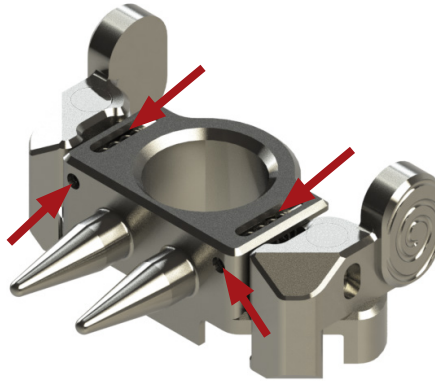
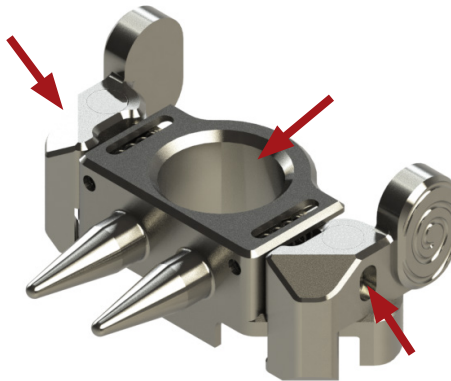
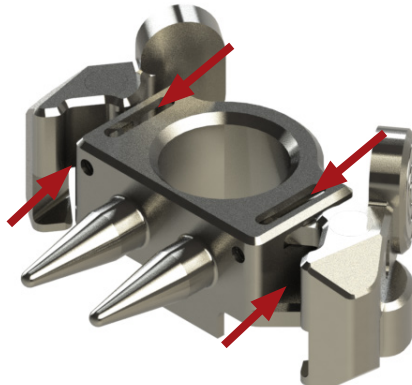


Sternal Closure System Ratchet Wheel Plate Alignment Guide (P/N 201.033.02)

Note: This cleaning instruction is intended to augment JACE Medical CS.0001 Product Care, Cleaning, and Sterilization Instructions and is not intended as a replacement for the validated parameters contained therein.

1 Flush Springs**2 Flush Lumens****3 Depress Buttons and Flush****4 Clean and Sterilize per JACE Medical CS.0001 Product Care, Cleaning, and Sterilization instructions.**

JACE Medical
3516 Commerce Drive
Warsaw, IN 46580
USA
Ph 574-306-0355